
REVISION HISTORY

VIN	5	Power supply input. Must be locally bypassed.
SW	6	Switching node of the buck converter.

RECOMMENDED OPERATING CONDITIONS

Over operating free-air temperature range unless otherwise noted

V _{IN}	Input voltage range	4.5	40	V
T _J	Operating junction temperature	-40	125	°C

ESD RATINGS

V _{ESD}	Human Body Model (HBM), per ANSI-JEDEC-JS-001-2014 specification, all pins ⁽¹⁾	-2	+2	kV
	Charged Device Model (CDM), per ANSI-JEDEC-JS-002-2014 specification, all pins ⁽¹⁾	-0.5	+0.5	kV

(1) JEDEC document JEP155 states that 500V HBM allows safe manufacturing with a standard ESD control process.

(2)



TYPICAL CHARACTERISTICS



Figure 7. LS Current Limit VS Temperature

Figure 8. Quiescent Current vs Temperature VIN=12V

Figure 9. Shutdown Current vs Temperature, Vin=24V

Figure 10. EN Threshold vs Temperature

Figure 11. VIN UVLO VS Temperature

Figure 12. OVP VS Temperature

FUNCTIONAL BLOCK DIAGRAM

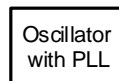


Figure 13. Functional Block Diagram



The SCT2400 Under Voltage Lock Out (UVLO) default startup threshold is typical 4.3V with VIN rising and shutdown threshold is 3.8V with VIN falling. The more accurate UVLO threshold can be programmed through the precision enable threshold of EN pin.

When applying a voltage higher than the EN high threshold (typical 1.21V/rising), the SCT2400 enables all functions and the device starts soft-start phase. The SCT2400 has the built in 1ms soft-start time to prevent the output overshoot and inrush current. When EN pin is pulled low, the internal SS net will be discharged to ground. Buck operation is disabled when EN voltage falls below its lower threshold (typically 1.1V/falling)

where

R_{FB_TOP} is the resistor connecting the output to the FB pin.

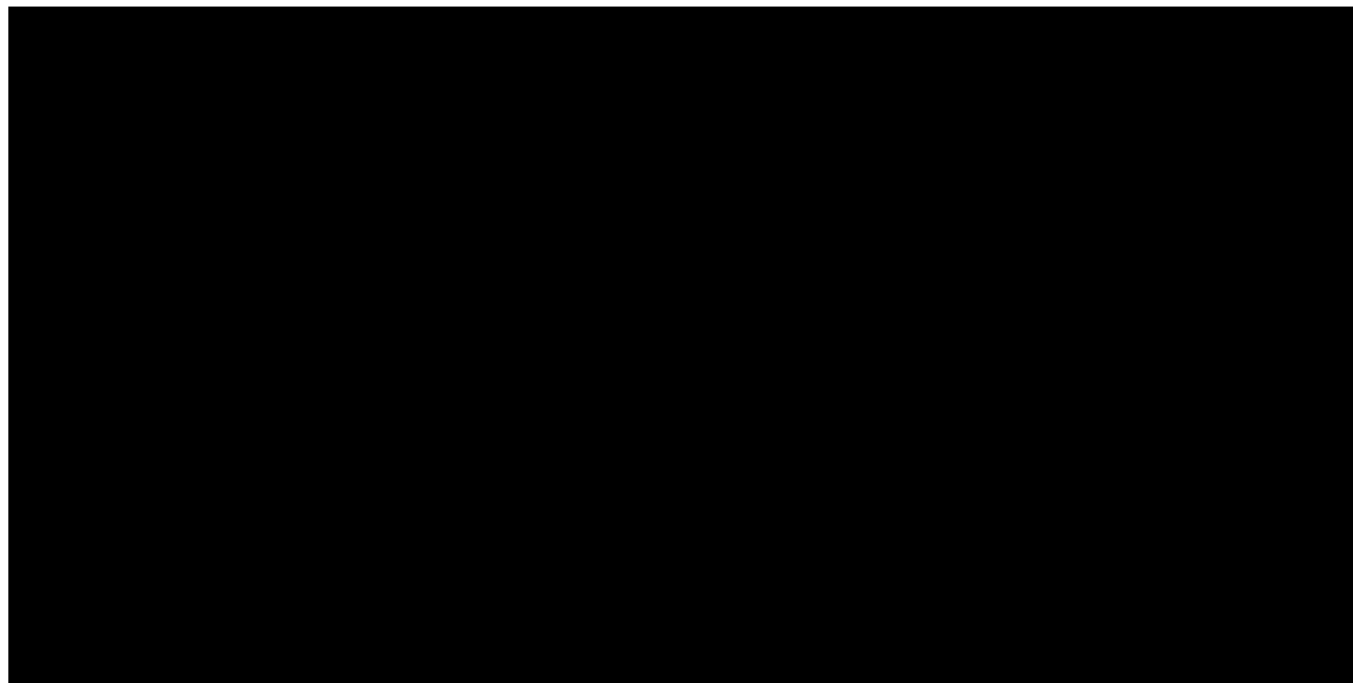
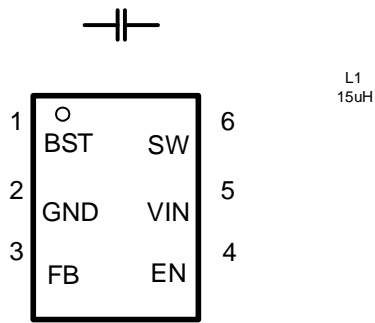
R_{FB_BOT} is the resistor connecting the FB pin to the ground.

The SCT2400 has cycle-by-cycle peak current limit with sensing the internal high side MOSFET Q1 current during overcurrent condition. While the Q1 turns on, its conduction current is monitored by the internal sensing circuitry. Once the



For more information

APPLICATION INFORMATION



The output voltage is set by an external resistor divider R1 and R2 in typical application schematic. Recommended R2 resistance is 20K



Unless otherwise noted the following conditions apply: $V_{in}=24V$, $V_{OUT}=12V$, $F_{sw}=2000kHz$.

Figure 19. Power up

Figure 20. Power down

Figure 21

The regulator could suffer from instability and noise problems without carefully layout of PCB. Radiation of high-frequency noise induces EMI, so proper layout of the high-frequency switching path is essential.

1. Minimize the length and area of all traces connected to the SW pin, and always use a ground plane under the switching regulator to minimize coupling.
2. The input capacitor needs to be very close to the VIN pin and GND pin to reduce the input supply ripple. Place a low ESR ceramic capacitor as close to VIN pin and the ground as possible to reduce parasitic effect.
3. Output inductor should be placed close to the SW pin. The area of the PCB conductor minimized to prevent excessive capacitive coupling.
4. The layout needs be done with well consideration of the thermal. A large top layer ground plate using multiple thermal vias is used to improve the thermal dissipation. The bottom layer is a large ground plane connected to the top layer ground by vias.

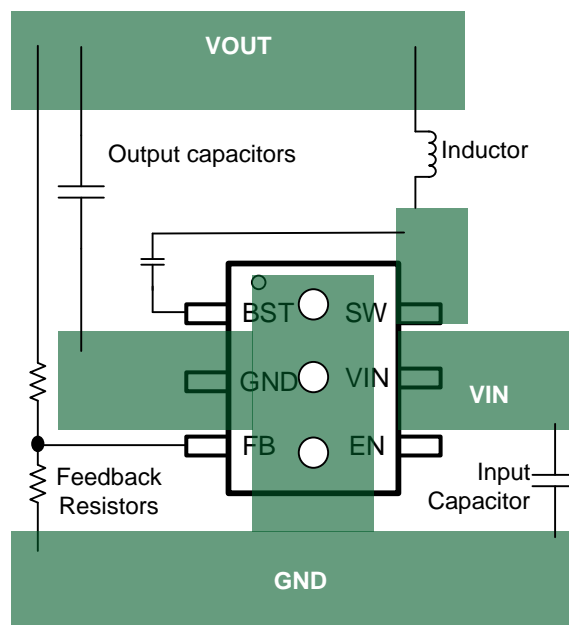


Figure 25. PCB Layout Example

TAPE AND REEL INFORMATION

